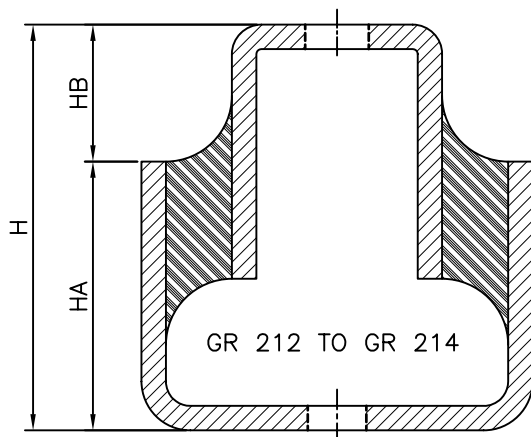
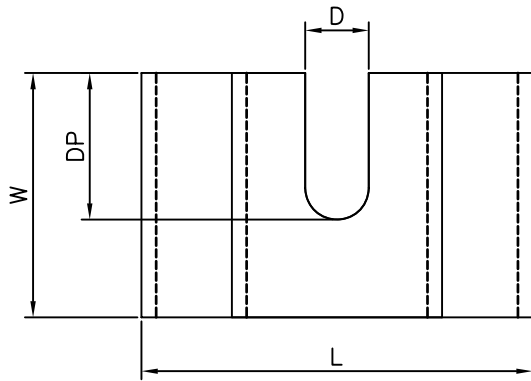
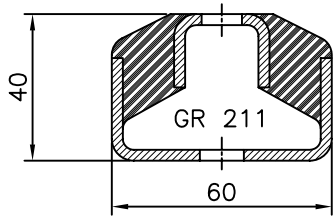
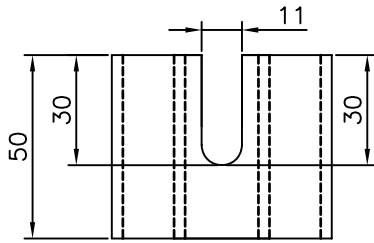
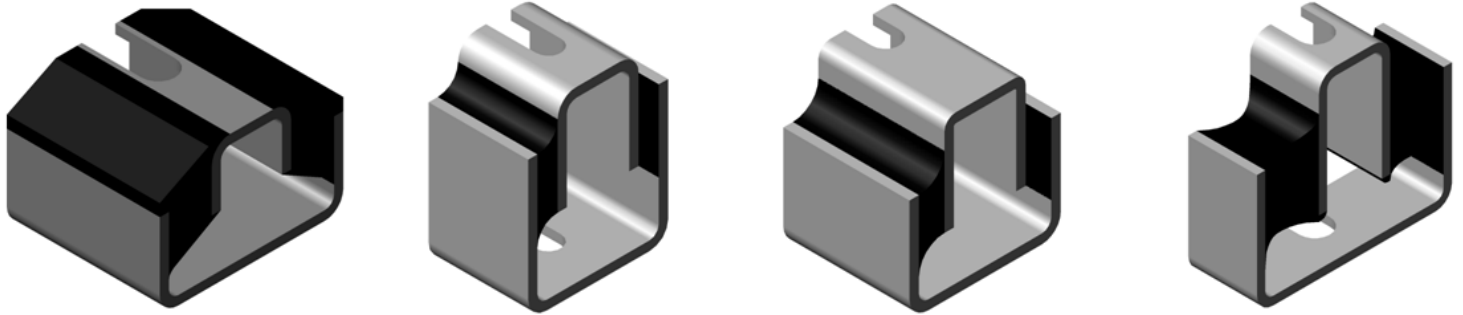


DOUBLE U SHEAR MOUNT

Double U Shear Mounting manufactured in four different sizes such as GR-211, GR-212, GR-213, GR-214

Double U Shear mounts are soft in nature & it has a spring action. Double U Shear mounts are capable of absorbing shock & vibrations & as well as lateral directions. The designs incorporates against metal to metals bonding. A wider base provide stability in the installed equipment. Double U Shear Mountings can be prepared as pre compressed. Double U Shear mountings are used for instruments, electronics apparatus protecting to equipment in packing cases, suspending light components, recorders equipments, electronics apparatus protecting to equipment in packing cases, suspending light components, recorders in vibrating equipments, electrically controlled panels, suspending ducts pipe lines & high speed motors for hydraulic power packs, buffers etc.



TYPE	DIMENSION (MM)-SHARE MOUNT GR-211 To 214				
	H	L	W	D	DP
GR 212	65	70	25	11	15
GR 213	48	140	85	104	61
GR 214	45	165	110	127	100

PART NO.	COLOUR CODE	MAX. LOAD CAPACITY (kg)	HARDNESS SHONE	DEFLECTION (mm)
GR-211-1	WHITE	18	55	3
GR-211-2	GREEN	25	65	3
GR-211-3	YELLOW	50	75	3
GR-212-1	WHITE	15	55	7
GR-212-2	GREEN	23	65	6
GR-212-3	YELLOW	25	75	4
GR-213-1	WHITE	70	55	7
GR-213-2	GREEN	90	65	6.5
GR-213-3	YELLOW	96	75	4
GR-214-1	WHITE	150	55	7
GR-214-2	GREEN	165	65	5
GR-214-3	YELLOW	200	75	4