

## COMBI MOUNT GR-411 TO GR-414

GR BOND COMBI MOUNTS are suitable for attenuation of high frequency of vibration & noise emitting machineries particularly axial & Centrifugal fans. High resilience rubber with low dynamic to static stiffness ratio ensures maximum efficiency good creep performance & long service life.

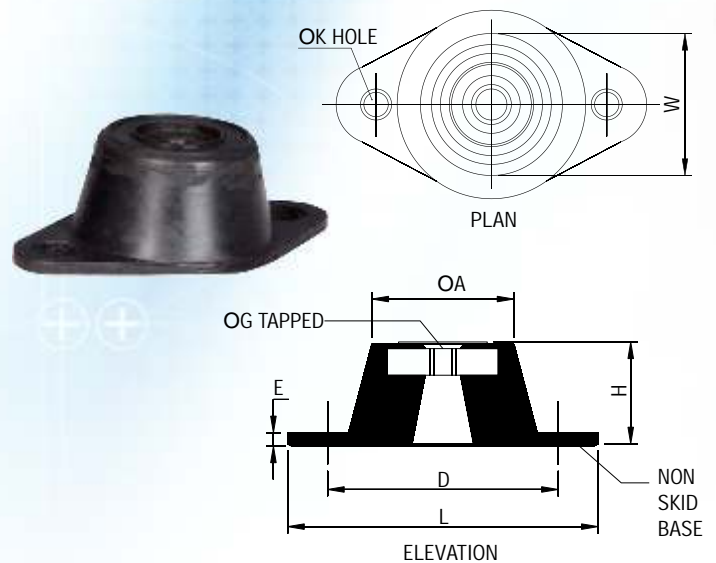
### DESIGN FEATURES

- Moulded in first grade Natural Rubber with integral mild steel base and M.S. threaded top
- Manufactured in four sizes each available in three rubber compounds identified by a colour spot for different loading capacity
- Static deflection from 5 to 12mm
- Having non skid ribbed base
- Upper fixing bolts are of standard size as per requirement
- Threaded Top

### TYPICAL APPLICATION

- Axial & Centrifugal Fans
- Air Handling units
- Refrigeration Plants
- Pumps
- Rotary & Multi Cylinder Compressors
- Floating Floor
- Isolation of Sensitive Equipment
- Test Rigs & Special Purpose Machine

TYPE	DIMENSIONS(MM)							
	H	L	W	D	OA	OG	OK	E
GR-411	28	80	45	60	32	M8	8.5	5
GR-412	32	98	60	76	75	M10	8.5	6
GR-413	44	140	85	104	64	M12	14	6
GR-414	45	165	110	127	100	M12	14	6
GR-D/411/B	35	80	45	60	32	M8	8.5	5
GR-D/412/B	44	98	60	76	45	M10	8.5	6
GR-D/413/B	72	140	85	104	64	M12	14	6
GR-D/414/B	75	165	110	127	100	M12	14	6



PART NO.	COLOUR CODE	MAX LOAD (KG)	STATIC DEFL. (MM)
GR-411-1	BLUE	15	5
GR-411-2	GREEN	30	
GR-411-3	YELLOW	55	
GR-411-4	RED	80	
GR-412-1	BLUE	70	6
GR-412-2	GREEN	100	
GR-412-3	YELLOW	175	
GR-412-4	RED	200	
GR-413-1	BLUE	140	6
GR-413-2	GREEN	240	
GR-413-3	YELLOW	340	
GR-413-4	RED	500	
GR-414-1	BLUE	140	6
GR-414-2	GREEN	240	
GR-414-3	YELLOW	340	
GR-414-4	RED	500	

PART NO.	COLOUR CODE	MAX LOAD (KG)	STATIC DEFL. (MM)
GR-411/B-1	BLUE	15	8
GR-411/B-2	GREEN	30	
GR-411/B-3	YELLOW	55	
GR-411/B-4	RED	80	
GR-412/B-1	BLUE	70	10
GR-412/B-2	GREEN	100	
GR-412/B-3	YELLOW	175	
GR-412/B-4	RED	200	
GR-413/B-1	BLUE	145	12
GR-413/B-2	GREEN	240	
GR-413/B-3	YELLOW	340	
GR-413/B-4	RED	500	
GR-414/B-1	BLUE	145	12
GR-414/B-2	GREEN	240	
GR-414/B-3	YELLOW	340	
GR-414/B-4	RED	500	

Note:- Combi Mount should not be used on machines exhibiting high out of balance forces or mobile application without locking devices or independent restraints.

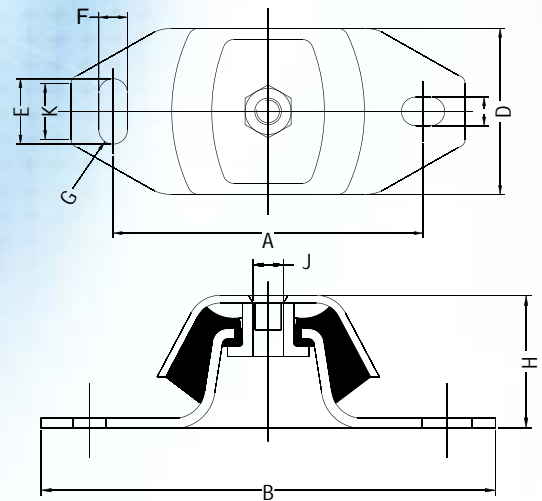
## COMBI MOUNT GR-712 AND GR-713

GR BOND COMBIMOUNTS are suitable for wide range of machineries. The COMBI MOUNTS are in compact design & in economical range. They are ideal for mobile application because of "Fail safe" features. The Combi mounts are available in three sizes having different loading capacity. These mounting are in service for more than ten years.

Combi mount are specially design for the protection of equipment from high impact shocks medium to high frequency vibration & barrier against structure borne noise in any field such as Communication, Electronics, Vehicles, Air Crafts, Mobile installation, Marine application etc.

### DESIGN FEATURES

- Steel Components are zinc plated
- Resilient elements are first grade Natural Rubber to metal bonded units
- Loading the rubber elements in a combination of shear & compression provides the optimum balances between high load capacity & low stiffness
- Rubber elements are contained & protected within top & base metals The shape of the top & the rubber elements are designed to increase stiffness & control movement under overload condition
- Low height compact units, ideal for use where space is limited



### TYPICAL APPLICATION

- Control Cabinets
- Hydraulic Pump & Motors
- Rotary Compressors
- Small Marine Diesel Propulsion Engines & Generator sets

	A	B	C	D	E	F	G	H	I	J	K
GR-712	140	178	20	76	30	13	6.5	52	13	M16	25
GR-713	182	220	26	112	34	18	9	70	18	M20	28

	GR-712			GR-713			
HARDNESS	1	2	3	1	2	3	4
LOAD (KG)	135	200	300	355	530	800	1000
DEFLECTION (mm)	5			5			